

Features

Collimate the light source

30° viewing angle

Optical grade plastic

Typical Application

CCD lighting

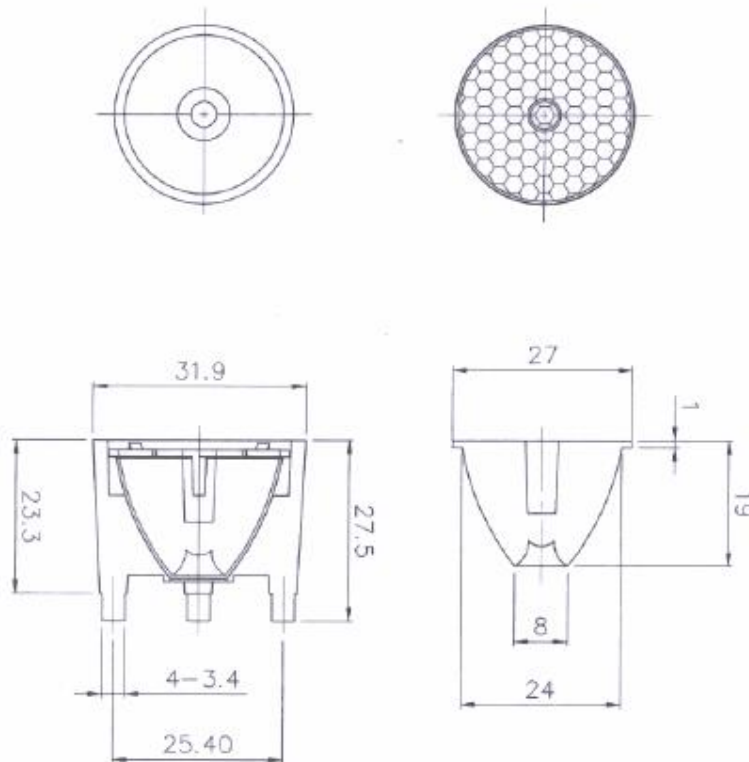
Night vision light source

Other aids lighting

<ul style="list-style-type: none"> ■ Mechanical Outline Dimensions

General Tolerance: +/-0.1

Outline Dimension :



Unit: mm

Specifications are subject to changes for improvement without advance notice.

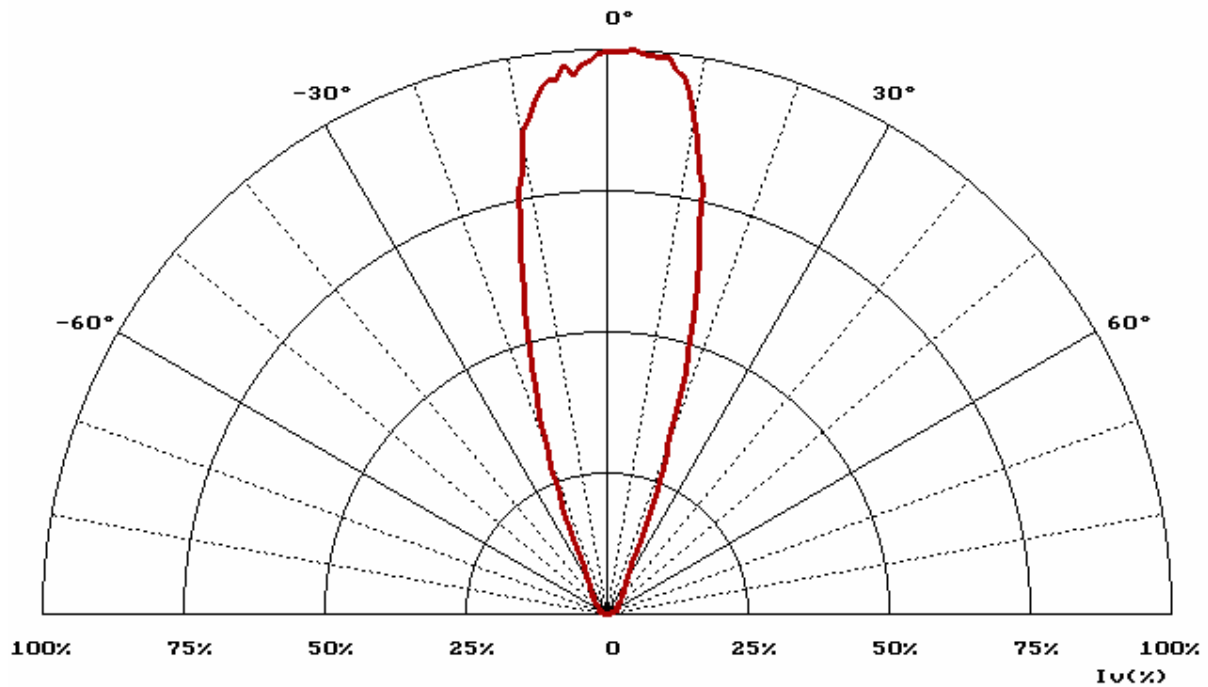
Caution: This product specification is a **TENTATIVE EDITION**. Its mechanical dimension, layout and electro-optical properties may be revised to improve product quality and reliability.

01-28-2008

Version of 1.0

Page 1/2

■ Radiation Pattern

**HARVATEK**<http://www.harvatek.com.tw><mailto:sales@harvatek.com.tw>

No 18 Lane 522 Sec 5 Chung Hwa Rd Hsin Chu Taiwan, R.O.C.

Tel : +886-3-539-9889

Fax : +886-3-539-9227

Specifications are subject to changes for improvement without advance notice.

Caution: This product specification is a **TENTATIVE EDITION**. Its mechanical dimension, layout and electro-optical properties may be revised to improve product quality and reliability.

01-28-2008

Version of 1.0

Page 2/2