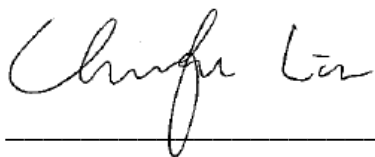


Harvatek Surface Mount CHIP LEDs Approval Sheet
Model No.: HT-310FCH**Acknowledged by****Section Manager**
Production Engineering Dept.**Manager**
Production Engineering Dept.

Official Product	HT Part No. HT-310FCH	Your Part No.		Data Sheet No.
Tentative Product	*****	*****		HDS-310-K109
Specifications are subject to changes for improvement without advance notice. Proprietary data, drawings, and company confidential all rights reserved.		2004/7/29	Version of 2.0	Page 1/14

INTRODUCTION 3

PRODUCT SPECIFICATION 4

LABEL SPEC.: 5

ELECTRO-OPTICAL CHARACTERISTICS 7

PACKAGE OUTLINE DIMENSION AND RECOMMENDED SOLDERING PATTERN FOR REFLOW SOLDERING 7

CHARACTERISTICS OF HT-310 FULL COLOR SERIES..... 8

PACKAGING TAPE, REEL, AND PACKING MODEL 9

TAPE DIMENSION 9

REEL DIMENSION 9

PACKING MODEL..... 10

DRY PACK..... 10

CAUTIONS OF PICK AND PLACE 11

PRECAUTIONS..... 11

REFLOW SOLDERING 11

CLEANING 12

CAUTIONS OF PICK AND PLACE 12

RELIABILITY TEST 13

REVISION HISTORY:2004/7/29..... 14

Official Product	HT Part No. HT-310FCH	Your Part No.		Data Sheet No.
Tentative Product	*****	*****		HDS-310-K109
Specifications are subject to changes for improvement without advance notice. Proprietary data, drawings, and company confidential all rights reserved.		2004/7/29	Version of 2.0	Page 2/14

Introduction

- *The information contained herein is presented only as a guide for the applications of our products. No responsibility is assumed by HARVATEK for any infringements of intellectual property or other rights of the third parties which may result from it use.*
- *Harvatek is continually effort to improve the quality of its products. Nevertheless, semiconductor devices in general can malfunction or fail due to their inherent electrical sensitivity and vulnerability to physical stress. It is the responsibility of the buyer, when utilizing HARVATEK products, to comply with the standards of safety in making a safe design for the entire system, and to avoid situations in which a malfunction or failure of such HARATEK products cause loss of human life, bodily injury or damage to property.*
- *The HARVATEK products listed in this document are intended for usage in general electronics (computer, personal equipment, office equipment, industrial robotics, domestic, etc...) These products are neither intended nor warranted for usage in equipment that requires extraordinarily high quality and/or reliability or a malfunction or failure of which may cause loss of human life or bodily injury.*
- *In developing your designs, please ensure that HARVATEK products are used within specified operating ranges as set forth in the most recent HARVATEK products specifications.*
- *Also, please keep in mind the precautions listed in this document.*

Official Product	HT Part No. HT-310FCH	Your Part No.		Data Sheet No.
Tentative Product	*****	*****		HDS-310-K109
Specifications are subject to changes for improvement without advance notice. Proprietary data, drawings, and company confidential all rights reserved.		2004/7/29	Version of 2.0	Page 3/14

Product Specification


	Specification	Material	Quantity
Iv	Red : 112.5-285mcd Green : 112.5-285mcd Blue : 72-140mcd @20mA/ Ta= 25° C Tolerance:+/-10%		
Lambda(λ_D)	Red : 615-635 nm Green : 515-535 nm Blue : 465-480nm @20mA/ Ta= 25° C Tolerance:+/-0.5nm		
Vf	Red: 1.7-2.3V Green : 2.7-3.9V Blue : 2.7-3.9V @20mA/ Ta= 25° C Tolerance:+/-0.05v		
Ir	< 100 μ A @ $V_R = 5$ V		
Resin	Water clear	Epoxy resin	
Carrier tape	According to EIA 481-1A specs	Conductive Black Tape	1000pcs per reel
Reel	According to EIA 481-1A specs	Conductive Black	
Label	HT standard	Paper	
Packing bag	220x240mm	Aluminum laminated bag/ no-zipper	One reel one bag
Carton	HT standard	Paper	Non-specified



ESD protection for GaP and AlGaAs chips are still necessary even though they are safety in low static-electric discharge. Material in AlInGaP, GaN, or/and InGaN chips are **STATIC SENSITIVE device**. ESD protection shall be considered and taken in the initial design stage. If manual work/process is needed, please ensure the device is well protective from ESD within all the process.

Official Product	HT Part No. HT-310FCH	Your Part No.		Data Sheet No.
Tentative Product	*****	*****		HDS-310-K109
Specifications are subject to changes for improvement without advance notice. Proprietary data, drawings, and company confidential all rights reserved.		2004/7/29	Version of 2.0	Page 4/14

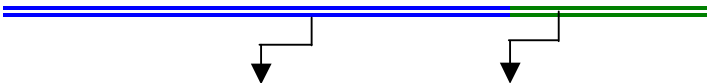
Label Spec.:

HARVATEK		Date: yyyy/mm/dd
CUSTOMER P/N: 		
HARVATEK P/N: 	QTY: PCS 	
LOT NO: 		QC
IV BIN: COLOR BIN: VF:		

■ Customer P/N: To Be Defined

■ Harvatek P/N

H T - 3 1 0 F C H



Series Name	Emitting Color
HT-310: 3.2x1.5x1.0mm	Full Color: Red, Green and Blue

■ Lot No.

1 2 3 4 5 6 7 8 9 10
P 1 2 2 3 0 A - C T

Code 1	Code 2	Code 3	Code 4, 5	Code 6, 7	Code 9	Code 10
	Mfg. Year	Mfg. Month	Mfg. Date	Lots	Resin Color	Packaging
Internal Tracing Code	Z: 2000 1: 2001 2: 2002 3: 2003	1: Jan. 2: Feb. 9: Sep. A: Oct. B: Nov. C: Dec.	1~31/ (30)	01~99, A,B,C...	C: Water Clear	T: Taped Reel

Official Product	HT Part No. HT-310FCH	Your Part No.		Data Sheet No.
Tentative Product	*****	*****		HDS-310-K109
Specifications are subject to changes for improvement without advance notice. Proprietary data, drawings, and company confidential all rights reserved.		2004/7/29	Version of 2.0	Page 5/14

■ **Iv Bin: Red / Green / Blue**

Color	Bin Code	Spec. Range
Red	R	112.5-180mcd
	S	180-285mcd
Green	R	112.5-180mcd
	S	180-285mcd
Blue	Q	72-112.5mcd

■ **Color Bin: Red / Green / Blue**

Color	Bin Code	Spec. Range
Red	-	615-635nm
Green	G	515-525nm
	H	525-535nm
Blue	B	465-470nm
	C	470-475nm
	D	475-480nm

■ **Vf Bin: Red / Green / Blue**

Color	Bin Code	Spec. Range
Red	--	1.7-2.3 V
Green	G43-	2.7-3.0V
	H33	3.0-3.3V
	J23	3.3-3.6V
	K13	3.6-3.9V
Blue	G43-	2.7-3.0V
	H33	3.0-3.3V
	J23	3.3-3.6V
	K13	3.6-3.9V

Official Product	HT Part No. HT-310FCH	Your Part No.		Data Sheet No.
Tentative Product	*****	*****		HDS-310-K109
Specifications are subject to changes for improvement without advance notice. Proprietary data, drawings, and company confidential all rights reserved.		2004/7/29	Version of 2.0	Page 6/14

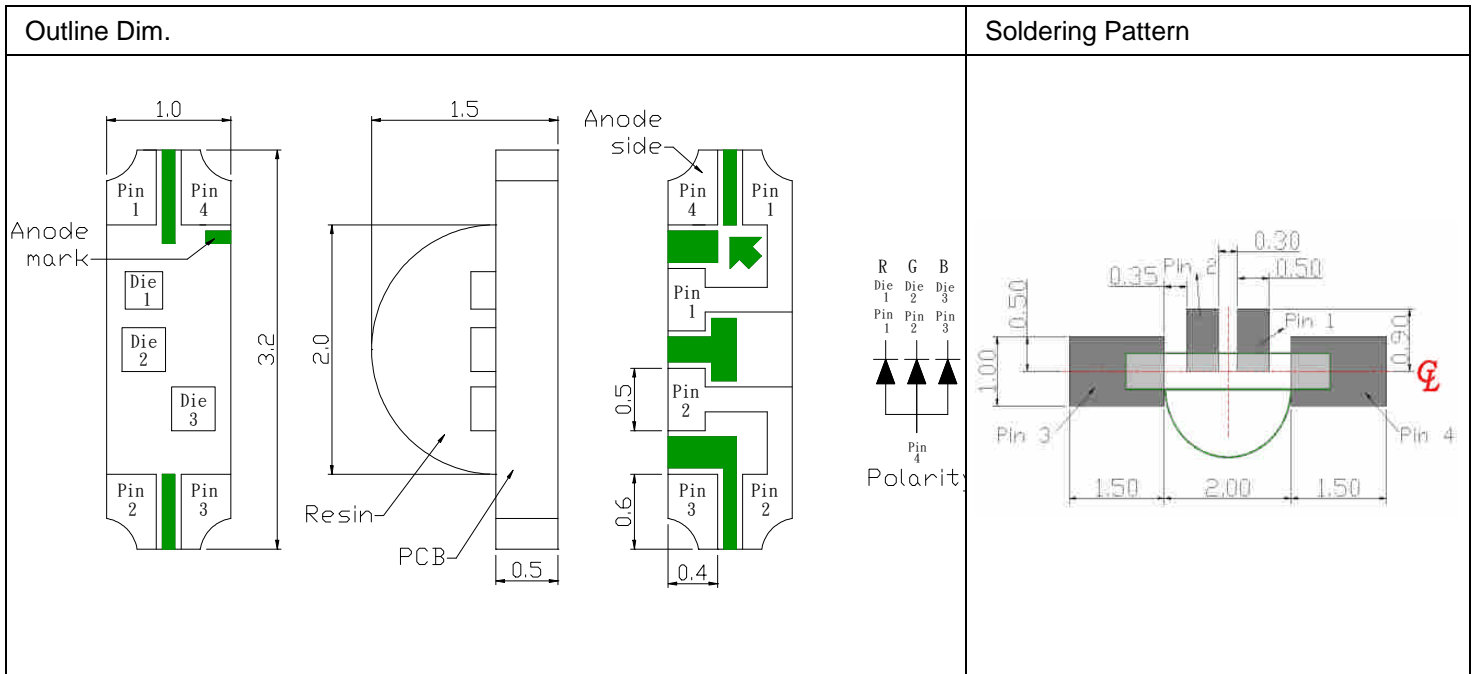
Electro-Optical Characteristics

(I_F @ 20mA, T_a 25 °C)

Code for parts	Lighting Color			V_F (V)		λ (nm)			I_V (mcd)
				typ	max	λ_D	λ_P	$\Delta\lambda$	Typical
HT-310FCH	Die1	Ultra Bright Red	USD	1.9	2.3	622	636	17	120
	Die2	Green	NG	3.3	3.9	527	520	40	160
	Die3	Blue	NB	3.3	3.9	470	468	40	80

Package Outline Dimension and Recommended Soldering Pattern for Reflow Soldering

Tolerance: +/-0.05



- Soldering terminal may shift in x, y direction.
- Common anode.

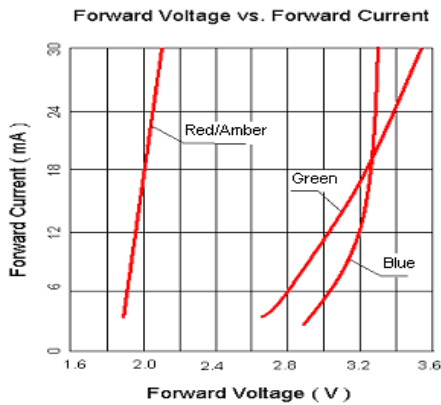
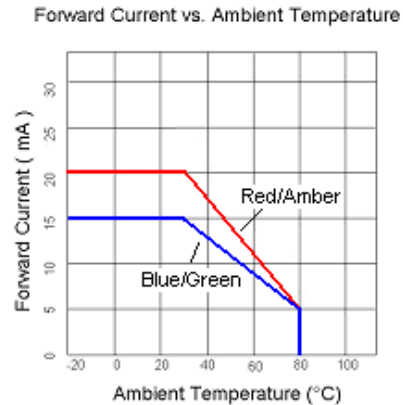
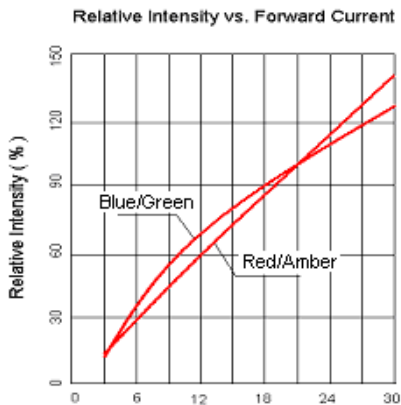
Absolute Maximum Ratings

(T_a 25 °C)

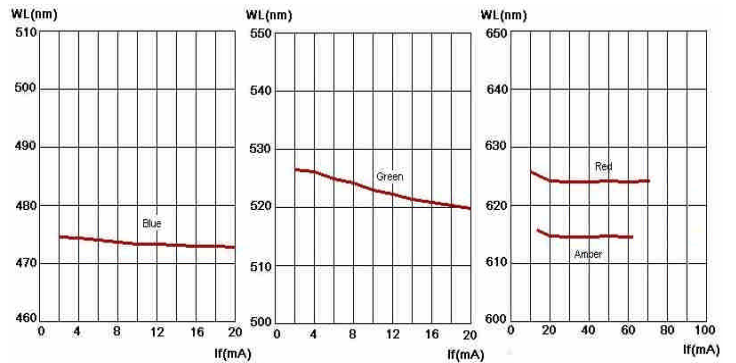
Series	P_d (mW)	I_F (mA)	I_{FP} (mA)	V_R (V)	I_R (uA)	T_{OP} (°C)	T_{ST} (°C)
Red	46	20	100	5	<100@ $V_R = 5$	-30~+80	-40~+85
Blue/Green	78	20	80				

Official Product	HT Part No. HT-310FCH	Your Part No.	Data Sheet No.
Tentative Product	*****	*****	HDS-310-K109
Specifications are subject to changes for improvement without advance notice. Proprietary data, drawings, and company confidential all rights reserved.		2004/7/29	Version of 2.0 Page 7/14

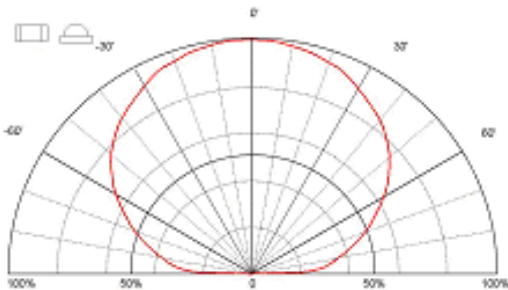
Characteristics of HT-310 Full Color Series



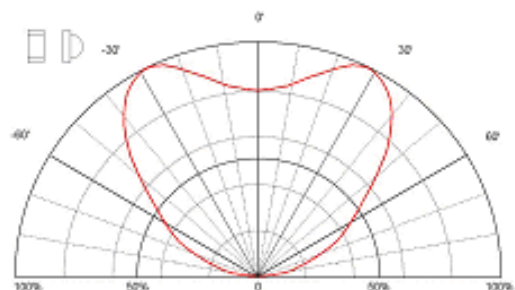
Wavelength vs. Forward Current



Directive Characteristics



Directive Characteristics

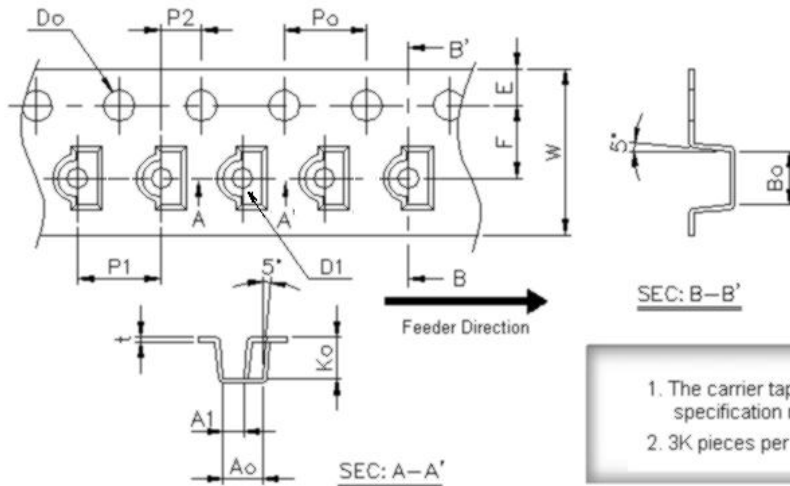


Official Product	HT Part No. HT-310FCH	Your Part No.	Data Sheet No.
Tentative Product	*****	*****	HDS-310-K109
Specifications are subject to changes for improvement without advance notice. Proprietary data, drawings, and company confidential all rights reserved.		2004/7/29	Version of 2.0
			Page 8/14

Packaging Tape, Reel, and Packing Model Tape Dimension

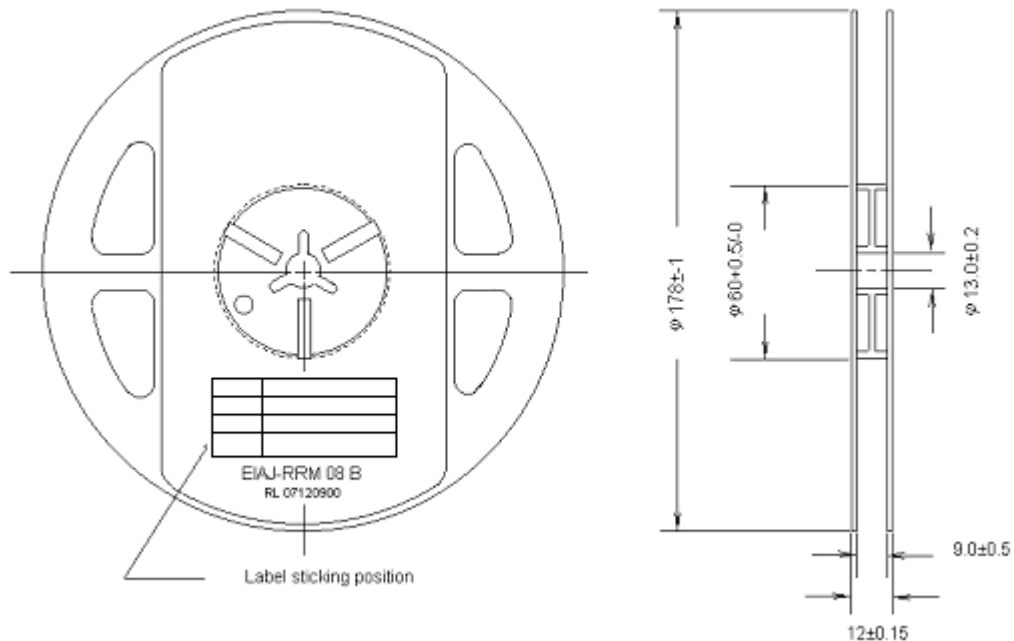
Common Dimension (unit: mm)									
Item	W	P1	E	F	Do	D1	Po	10Po	P2
Spec	8.00	4.00	1.75	3.50	1.50	1.00	4.00	40.00	2.00
Trn.	±0.20	±0.10	±0.10	±0.05	+0.10 -0.00	±0.05	±0.05	±0.20	±0.05

Pocket Dim.		
Item	Spec	Trn.
Ao	1.70	±0.10
A1	0.70	±0.10
Bo	3.40	±0.10
Ko	1.05	±0.10
t	0.20	±0.05



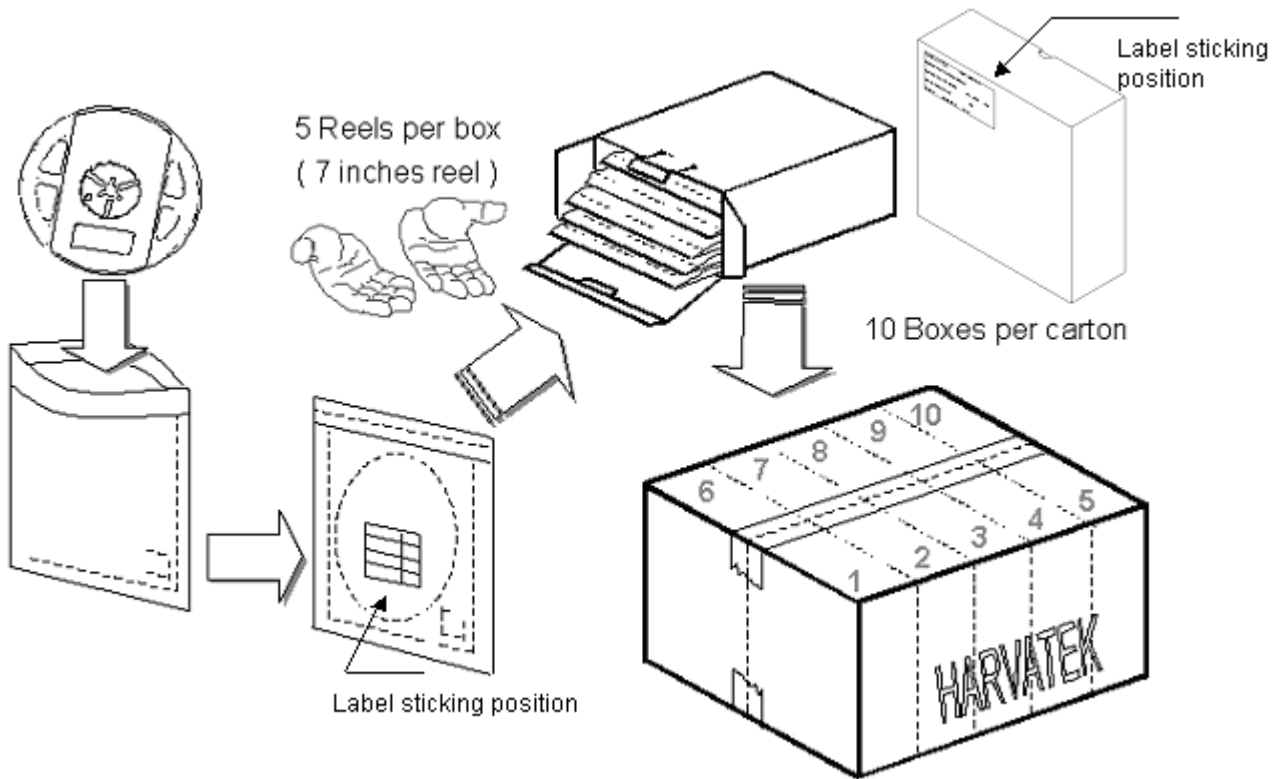
1. The carrier tape and components loading specification meet the EIA 481-1A Standards.
2. 3K pieces per reel is standard loading quantity.

Reel Dimension



Official Product	HT Part No. HT-310FCH	Your Part No.		Data Sheet No.
Tentative Product	*****	*****		HDS-310-K109
Specifications are subject to changes for improvement without advance notice. Proprietary data, drawings, and company confidential all rights reserved.		2004/7/29	Version of 2.0	Page 9/14

Packing Model



5 boxes per carton is available according to shipping quantity.

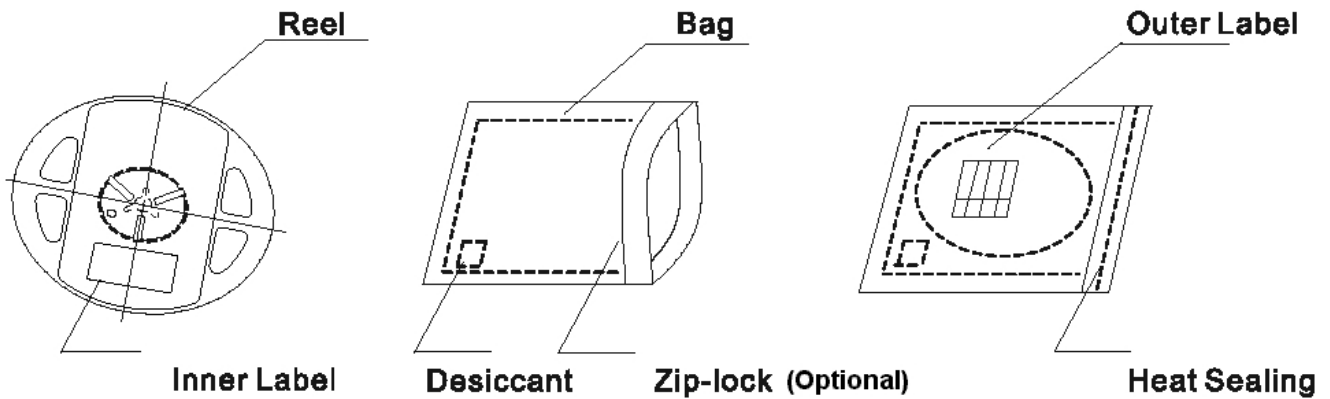
Dry Pack

Any SMD optical device, like this chip LED, is **MOISTURE SENSITIVE device**. Avoid absorbing moisture at any time during transportation or storage. Every reel will be packaged in the moisture barrier anti-static bag (Specific bag material will depend upon customers' requirement or option). And the bag is well sealed before shipment.

By customer's requirement, we will put a humidity indicator in each moisture barrier anti-static bag before shipment.

The package is the following:

Official Product	HT Part No. HT-310FCH	Your Part No.		Data Sheet No.
Tentative Product	*****	*****		HDS-310-K109
Specifications are subject to changes for improvement without advance notice. Proprietary data, drawings, and company confidential all rights reserved.		2004/7/29	Version of 2.0	Page 10/14



Cautions of Pick and Place

It should be avoided to load stress on the resin during high temperature.

Avoid rubbing or scraping the resin by any object.

Electric-static may cause damage to the component. Please confirm that the equipment grounding well. Using an ionizer fan is recommended.

PRECAUTIONS

1. Avoid absorbing moisture at any time during transportation or storage.
2. Anti-Static process is needed especially when handling GaN, InGaN, and AlInGaP products.
3. It is suggested to connect the unit with a proper series current limit resistor. Avoid driving reverse voltage over the specification of LEDs when turning the unit ON/OFF.
4. Any application should refer to the specifications of absolute maximum ratings.
5. Avoid any direct contact with the viewing area.
6. If possible, assemble the unit in a clean room or dust-free environment.

Reflow Soldering

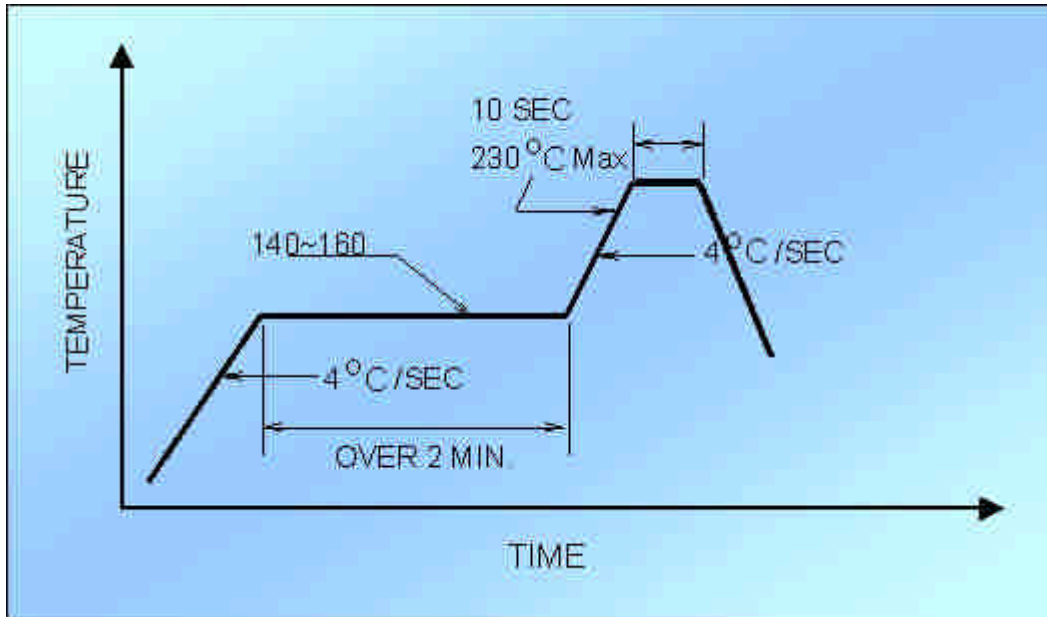
Recommend soldering paste specifications:

Melting temperature: 178~192 °C

Contains: Sn 63%, Pb 37%

Never take next process until the component is cooled down to room temperature after reflow. The recommended reflow soldering profile (measuring on the surface of the LED terminal) is following:

Official Product	HT Part No. HT-310FCH	Your Part No.		Data Sheet No.
Tentative Product	*****	*****		HDS-310-K109
Specifications are subject to changes for improvement without advance notice. Proprietary data, drawings, and company confidential all rights reserved.		2004/7/29	Version of 2.0	Page 11/14



Cleaning

The conditions of cleaning after soldering:

An alcohol-based solvent such as isopropyl alcohol (IPA) is recommended.

Temperature x Time: <50 °C x 30sec, or <30 °C x 3min

Ultra sonic cleaning: < 15W/ bath; Bath volume: 1liter max.

Curing: 100 °C max, <3min

Do not contact with component on the assembly board.

Cautions of Pick and Place

It should be avoided to load stress on the resin during high temperature.

Avoid rubbing or scraping the resin by any object.

Electric-static may cause damage to the component. Please confirm that the equipment grounding well. Using an ionizer fan is recommended.

Official Product	HT Part No. HT-310FCH	Your Part No.		Data Sheet No.
Tentative Product	*****	*****		HDS-310-K109
Specifications are subject to changes for improvement without advance notice. Proprietary data, drawings, and company confidential all rights reserved.		2004/7/29	Version of 2.0	Page 12/14

Reliability Test

Item	Frequency/ lots/ samples/ failures	Standards Reference	Conditions
Precondition	For all reliability monitoring tests according to JEDEC Level 2	J-STD-020	1.) Baking at 85°C for 24hrs 2.) Moisture storage at 85°C/ 60% R.H. for 168hrs
Solderability	1Q/ 1/ 22/ 0	JESD22-B102-B And CNS-5068	Accelerated aging 155°C/ 24hrs Tinning speed: 2.5±0.5cm/s Tinning: A: 215°C/ 3+1s or B: 260°C/ 10±1s
Resistance to soldering heat		CNS-5067	Dipping soldering terminal only Soldering bath temperature A: 260±5°C; 10+/-1s B: 350±10°C; 3+/-0.5s
Operating life test	1Q/ 1/ 40/ 0	CNS-11829	1.) Precondition: 85°C baking for 24hrs 85°C/ 60%R.H. for 168hrs 2.) T _{amb} 25°C; I _F =20mA; duration 1000hrs
High humidity, high temperature bias	1Q/ 1/ 45/ 0	JESD-A101-B	T _{amb} : 85°C Humidity: 85% R.H., I _F =5mA Duration: 1000hrs
High temperature bias	1Q/ 1/ 20	HT specs.	T _{amb} : 55°C I _F =20mA Duration: 1000hrs
Pulse life test	1Q/ 1/ 40/ 0		T _{amb} 25°C, I _F =20mA,, I _p =100mA, Duty cycle=0.125 (tp=125 μs, T=1sec) Duration 500hrs)
Temperature cycle	1Q/ 1/ 76/ 0	JESD-A104-A IEC 68-2-14, Nb	A cycle: -40 degree C 15min; +85 degree C 15min Thermal steady within 5 min.. 300 cycles 2 chamber/ Air-to-air type
High humidity storage test	1Q/ 1/ 40/ 0	CNS-6117	60±3°C 90+5/-10% R.H. for 500hrs
High temperature storage test	1Q/ 1/ 40/ 0	CNS-554	100±10°C for 500hrs
Low temperature storage test	1Q/ 1/ 40/ 0	CNS-6118	-40±5°C for 500hrs

Official Product	HT Part No. HT-310FCH	Your Part No.		Data Sheet No.
Tentative Product	*****	*****		HDS-310-K109
Specifications are subject to changes for improvement without advance notice. Proprietary data, drawings, and company confidential all rights reserved.		2004/7/29	Version of 2.0	Page 13/14

Revision History:2004/7/29

Rev.	Subject (Major changes since last revision)
1.	Modified Iv & Vf bin.
2.	Modified package quantity to 1000pcs/r from 3000pcs/r

Official Product	HT Part No. HT-310FCH	Your Part No.		Data Sheet No.
Tentative Product	*****	*****		HDS-310-K109
Specifications are subject to changes for improvement without advance notice. Proprietary data, drawings, and company confidential all rights reserved.		2004/7/29	Version of 2.0	Page 14/14